

**ATTENZIONE: LA SICUREZZA DELL'APPARECCHIO E' GARANTITA SOLO CON L'USI APPROPRIATO DELLE SEGUENTI ISTRUZIONI. CONSERVARLE CON CURA.**

Prima di eseguire qualsiasi tipo di operazione togliere la tensione di rete

Per la pulizia dei vetri si raccomanda di non usare mai abrasivi o solventi

Fare attenzione a non superare il Max di watt indicati per l'apparecchio

L'apparecchio non può essere usato in ambienti umidi o all'esterno

Mai coprire l'apparecchio durante l'impiego.

Se il cavo flessibile esterno di questo apparecchio viene danneggiato, deve essere sostituito dal costruttore o dal suo servizio di assistenza, o da personale qualificato equivalente, al fine di evitare pericoli

Max. potenza lampada 56W+76W+98W

Attacco lampada LED 2700K

Tipo lampada

Apparecchio classe |

Grado di protezione IP40

**ATTENTION: THE SAFETY OF THE APPLIANCE IS GUARANTEED ONLY IF IT IS PROPERLY USED, ACCORDING TO THE FOLLOWING INSTRUCTIONS, WHICH ARE TO BE KEPT.**

Always disconnect the power supply before installing or performing any maintenance operations

For cleaning the glass do not use any abrasive or solvent materials

Make attention of not exceeding the maximum watt indicated on the appliance

The appliance may not be used in humid or external environments

Never cover the appliance while in function

If the external flexible cable or cord of this luminaire is damaged, it shall be exclusively replaced by the manufacturer or his service agent or a similar qualified person in order to avoid a hazard

Capacity of bulb 56W+76W+98W

Type of lampholder LED 2700K

Type of bulb

Appliance in class |

Protection class IP40

**ACHTUNG: DIE SICHERHEIT DIESES BELEUCHTUNGSKÖRPERS WIRD NUR DURCH DIE KORREKTE ANWENDUNG DER NACHSTEHENDEN ANWEISUNGEN GEWÄHRLEISTET. DIESE ÜSSEN DAHER SORGFÄLTIG AUFBEWAHRT WERDEN.:**

Bevor irgendwelche Arbeitsgänge ausgeführt werden, muß die Stromversorgung unterbrochen

Zur Reinigung der Gläser dürfen keine Scheuer- bzw. Lösungsmittel verwendet werden

Achten Sie darauf, daß die auf dem Beleuchtungskörper angegebene maximale Wattzahl nicht überschritten wird

Der Beleuchtungskörper darf nicht in feuchten Räumen bzw. im Freien eingesetzt werden

Den Beleuchtungskörper während dem Betrieb nicht abdecken

Wenn das äußere, flexible Kabel beschädigt sein sollte, darf es nur durch den Lieferanten, durch den Kundenservice oder von Fachleuten ausgetauscht werden, um Schäden und Gefahren zu vermeiden

Leistung der Gluebirne 56W+76W+98W

Anschluss LED 2700K

Typ der Gluebirne

Gerät der Klasse |

Schutzklasse IP40

**ВНИМАНИЕ: БЕЗОПАСНОСТЬ ОСВЕТИТЕЛЬНОГО ПРИБОРА ГАРАНТИРОВАНА ТОЛЬКО ПРИ УСЛОВИИ ЕГО ЭКСПЛУАТАЦИИ В СООТВЕТСТВИИ С ПРИВЕДЕННЫМИ НИЖЕ ИНСТРУКЦИЯМИ, КОТОРЫЕ НЕОБХОДИМО СОХРАНИТЬ.**

Перед выполнением любой операции с осветительным прибором отключить напряжение в сети

Рекомендуется никогда не чистить стекло при употреблении абразивных веществ или Растворителей

Не превышать максимально допустимую мощность, указанную для данного осветительного прибора

Осветительный прибор не может быть использован во влажных помещениях или на улице

Никогда не накрывать осветительный прибор в рабочем режиме

Для того чтобы избежать опасностей в случае повреждения наружного гибкого кабеля, этот элемент должен заменить только строитель, или послепродажное обслуживание – или квалифицированный персонал

Максимальная мощность лампочки 56W+76W+98W

Тип цоколя лампочки LED 2700K

Тип лампочки

Осветительный прибор КЛАССА |

Класс защиты IP40

**ATTENTION: LA SÉCURITÉ DE CET APPAREIL N'EST GARANTIE QUE SI L'ON RESPECTE LES INSTRUCTIONS SUIVANTES. IL EST, PAR CONSÉQUENT, INDISPENSABLE DE LES CONSERVER SOIGNEUSEMENT.**

Avant d'effectuer toute opération, débrancher la tension de réseau

Ne jamais utiliser des abrasifs ou des solvants pour le nettoyage des parties en verre

Veiller à ne pas dépasser la limite maximale des watts indiquée sur l'appareil

Cet appareil ne peut pas être utilisé dans des pièces humides ni à l'extérieur

Ne jamais couvrir l'appareil pendant son fonctionnement

Si vient endommager le câble électrique flexible, il doit être remplacé par le constructeur ou par des techniciens qualifiés et compétents pour éviter tout danger

Puissance ampoule 56W+76W+98W

Culot LED 2700K

Type ampoule

Appareil de classe |

Classe de protection IP40

**ATENÇÃO: A SEGURANÇA DO APARELHO É GARANTIDA SOMENTE SE FOREM RESPEITADAS AS INSTRUÇÕES. PORTANTO, É NECESSÁRIO CONSERVÁ-LAS.**

Antes de fazer qualquer tipo de operação, desligar a corrente eléctrica da rede

Para limpeza do vidro não usar materiais abrasivos ou solventes

Prestar atenção para não superar o número de watts indicados para o aparelho

O aparelho não pode ser utilizado em ambientes húmidos ou no exterior

Nunca cobrir o aparelho durante o funcionamento

Se os cabos eléctricos externos ou cabos de sustentação estiverem danificados, devem ser trocados exclusivamente pelo fabricante, assistente técnico ou por profissional qualificado com objetivo de evitar danos maiores

Potência máxima da lâmpada 56W+76W+98W

Tipo de suporte da lâmpada LED 2700K

Tipo de lâmpada

Aparelho de CLASSE |

Classe de protecção IP40

**ATENCIÓN: LA SEGURIDAD DEL APARATO ESTÁ GARANTIZADA SÓLO POR UN USO ADECUADO DE LAS SIGUIENTES INSTRUCCIONES; POR CONSIGUIENTE, ES PRECISO CONSERVARLAS.**

Antes de llevar a cabo cualquier tipo de operación, desconectar la tensión de la red

Para limpiar el cristal no utilice ningún abrasivo o solvente

Prestar atención a no superar el máximo de los vatios indicados en el aparato

El aparato no podrá utilizarse en ambientes húmedos ni en exteriores

No cubrir jamás el aparato durante el funcionamiento

En caso de que el cable exterior flexible se dane, debe ser cambiado por el fabricante o su servicio de asistencia o personas cualificadas a fin de evitar peligros

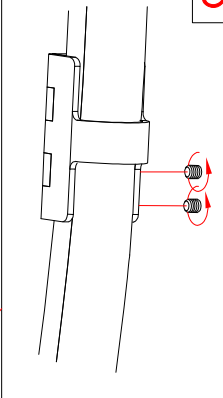
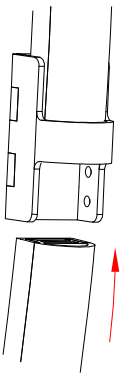
Potencia máxima de la bombilla 56W+76W+98W

Casquillo de la bombilla LED 2700K

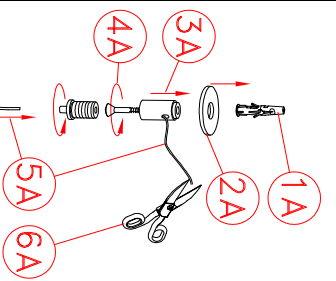
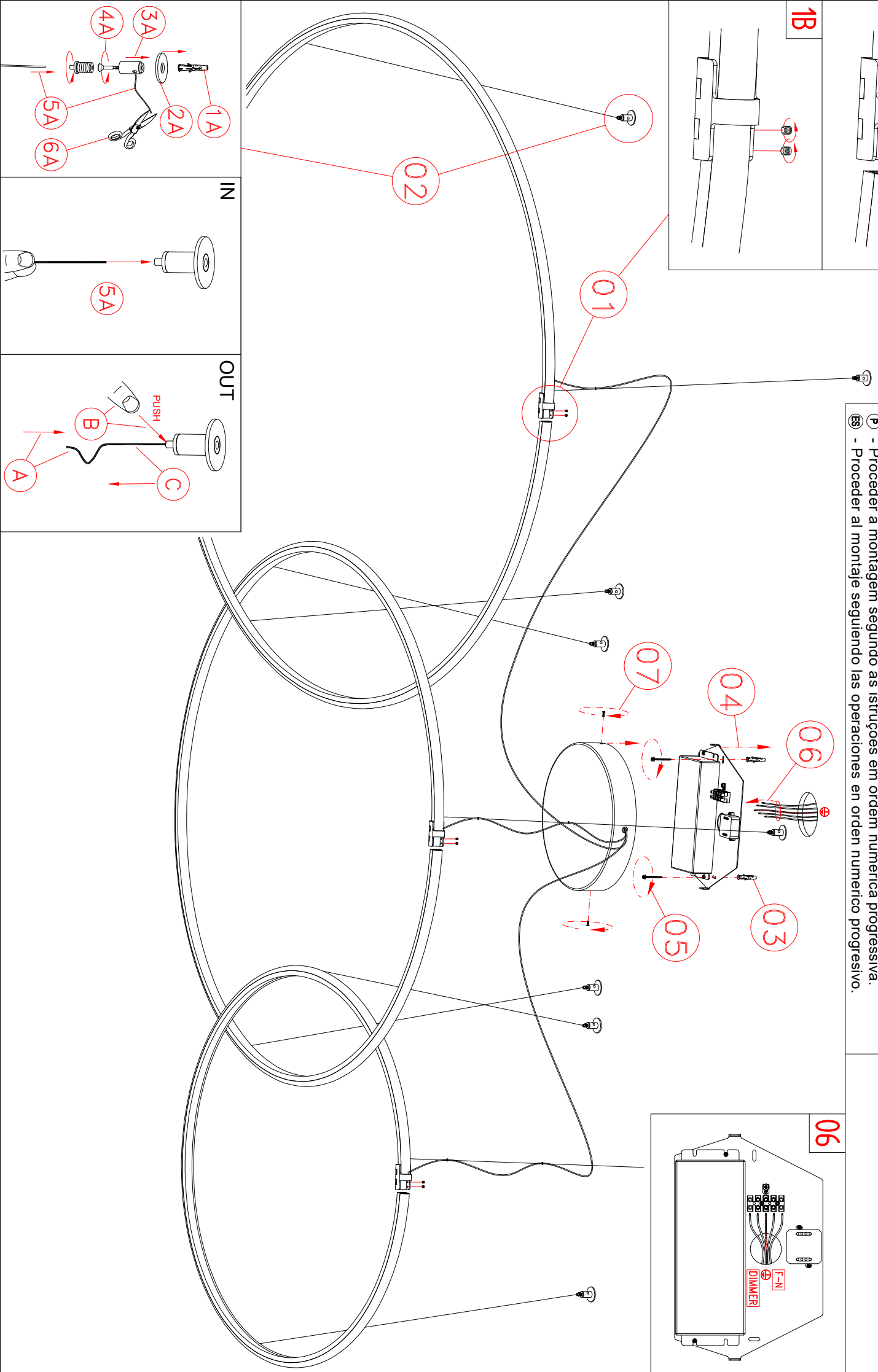
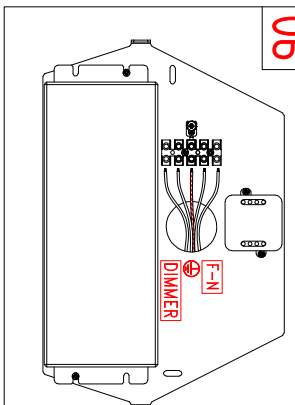
Tipo de bombilla

Aparato CLASE |

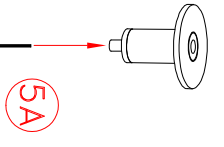
Clase de protección IP40



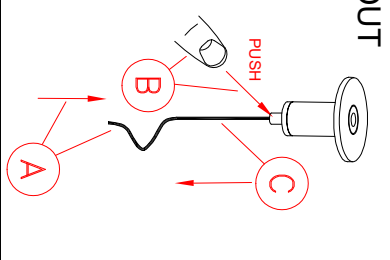
- ① - Procedere al montaggio seguendo le operazioni in ordine numerico progressivo.
- ② - Proceed with assembling following the operations in progressive numerical order.
- ③ - Arbeitsgänge in numerischer Ordnung ausführen, um das Gerät zu installieren.
- ④ - Производите установку в порядке увеличения обозначенных выше номеров.
- ⑤ - **Il faut procéder a le montage exécutant les opérations par l'ordre numérique progressif.**
- ⑥ - Proceder a montagem seguindo as instruções em ordem numerica progressiva.
- ⑦ - Proceder al montaje siguiendo las operaciones en orden numerico progresivo.



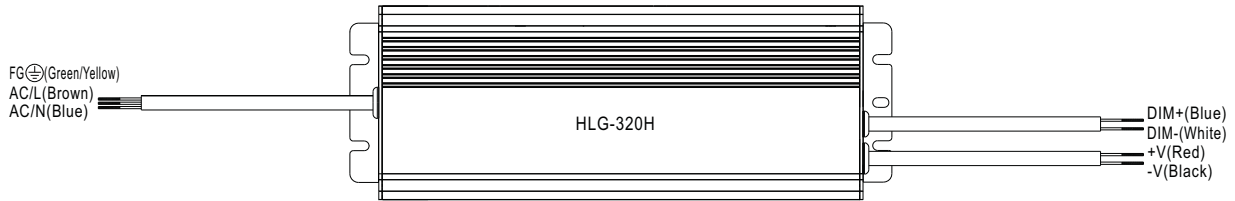
IN



OUT



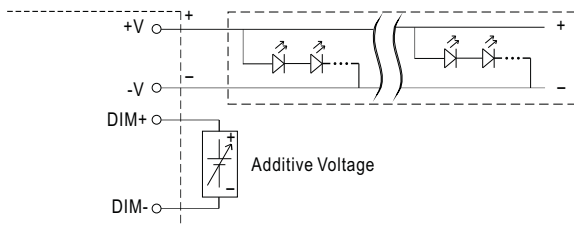
■ DIMMING OPERATION



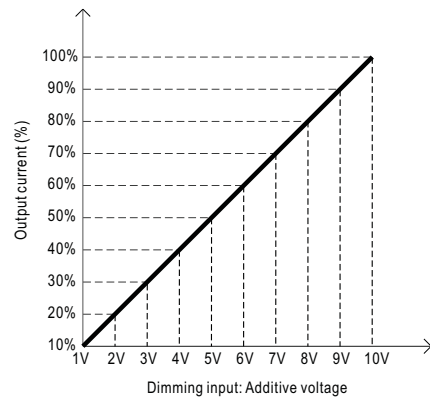
※ 3 in 1 dimming function (for B/AB-Type)

- Output constant current level can be adjusted by applying one of the three methodologies between DIM+ and DIM-: 1 ~ 10VDC, or 10V PWM signal or resistance.
- Direct connecting to LEDs is suggested. It is not suitable to be used with additional drivers.
- Dimming source current from power supply: 100 μ A (typ.)

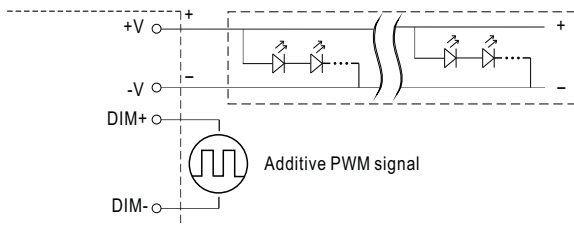
◎ Applying additive 1 ~ 10VDC



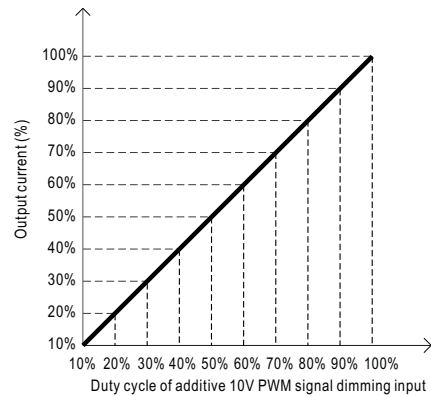
"DO NOT connect "DIM- to -V"



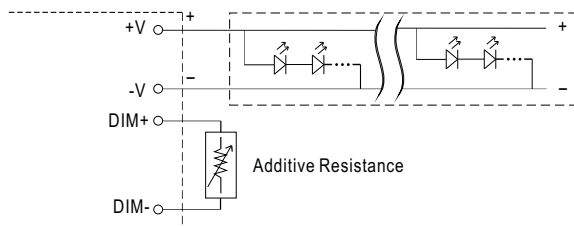
◎ Applying additive 10V PWM signal (frequency range 100Hz ~ 3KHz):



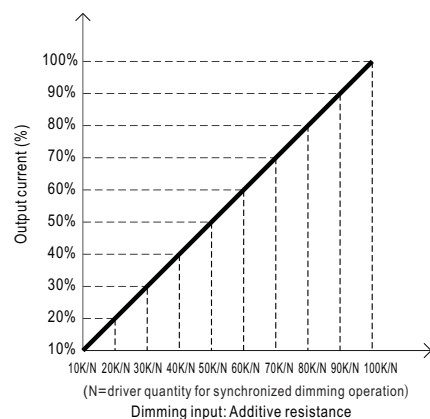
"DO NOT connect "DIM- to -V"



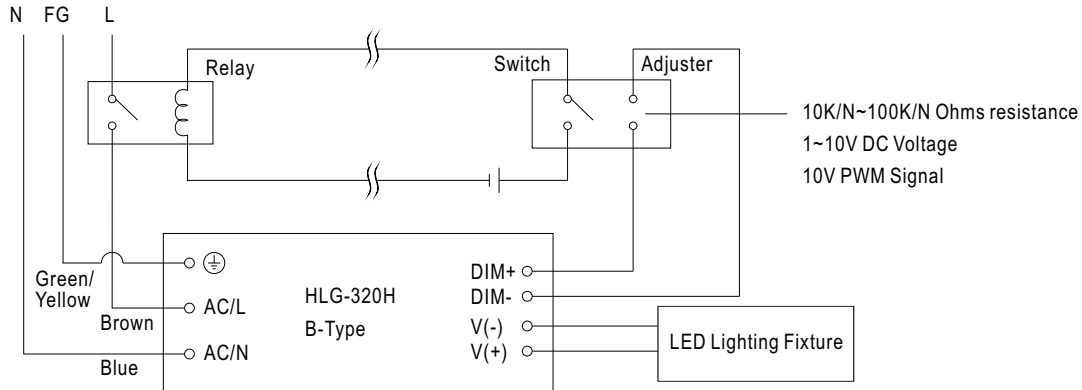
◎ Applying additive resistance:



"DO NOT connect "DIM- to -V"



Note: In the case of turning the lighting fixture down to 0% brightness, please refer to the configuration as follow, or please contact MEAN WELL for other options.



Using a switch and relay can turn ON/OFF the lighting fixture.



FEATURES

- BUS+FADE+DIMMER+DRIVER
- DC input: DC 12-24-48 Vdc or 12-24Vdc
- BUS Command:
 - DALI
 - DMX512+RDM
- MULTI INPUT – Analogic Automatic Detection of the Local Command:
 - Normally Open Push-Button
 - 1-10V
 - Potentiometer 10KOhm
- PUSH MENU – Possibility to set:
 - Minimum value or dimming
 - Fade In
 - Fade Out
- Constant voltage variant to Common Anode applications
- Voltage outputs for R-L-C loads, DLM1248-1CV-DALI or DMX
- Voltage outputs for R loads, DLM1224-1CV-DALI or DMX
- Memory function
- Adjusting the brightness of White light or monochromatic color
- Adjusting the brightness up to completed off
- Soft start and soft stop
- Optimized output curve
- Typical efficiency > 95%
- 100% Functional test – 5 Years warranty



CONSTANT VOLTAGE VARIANTS

Application: Dimmer

| CODE | Input Voltage | Output | Channels | BUS Command | Analogic Auto Detection |
|------------------|---------------|----------|----------|-------------|---|
| DLM1248-1CV-DALI | 12-48V DC | 1 x 6.5A | 1 | DALI | N° 1 N.O. Push Button N° 1 analog signal 0-10V |
| DLM1224-1CV-DALI | 12-24V DC | 1 x 10A | 1 | DALI | N° 1 analog signal 1-10V N° 1 potentiometer 10KOhm |
| DLM1248-1CV-DMX | 12-48V DC | 1 x 6.5A | 1 | DMX | N° 1 N.O. Push Button N° 1 analog signal 0-10V |
| DLM1224-1CV-DMX | 12-24V DC | 1 x 10A | 1 | DMX | N° 1 analog signal 1-10V N° 1 potentiometer 10KOhm |

The LED Dimmer is produced by default with:
 - Analog Automatic Detection of local command set as N.O. Push Button
 - Dimming minimum level at 1%

PROTECTIONS

| | DLM1248-1CV-DALI/DMX | DLM1224-1CV-DALI/DMX |
|-----|----------------------------------|----------------------|
| OTP | Over temperature protection (*) | ✓ |
| OVP | Over voltage protection (**) | ✓ |
| UVP | Under voltage protection (**) | ✓ |
| RVP | Reverse polarity protection (**) | ✓ |
| IIP | Input fuse protection (**) | ✓ |
| SCP | Short circuit protection | ✓ |
| OCP | Open circuit protection | ✓ |
| CLP | Current limit protection | ✓ |

(*) Thermal Protection on the output channel in case of high temperature. The thermal intervention is detected by transistor (> 150°C)
 (**) Only control logic protection

REFERENCE STANDARDS

| | |
|------------------|---|
| EN 61347-1 | Lamp controlgear - Part 1: General and safety requirements |
| EN 55015 | Limits and methods of measurement of radio disturbance characteristics of electrical lighting and similar equipment |
| EN 61547 | Equipment for general lighting purposes - EMC immunity requirements |
| IEC/EN 62386-101 | Digital addressable lighting interface - Part 101: General requirements - System |
| IEC/EN 62386-102 | Digital addressable lighting interface - Part 102: General requirements - Control gear |
| IEC 60929-E.2.1 | Digital addressable lighting interface - Part 207: Particular requirements for control gear - LED modules (device type 6) |
| ANSI E 1.3 | Control interface for controllable ballasts - control by d.c. voltage - functional specification |
| ANSI E1.1.1 | Entertainment Technology - Lighting Control Systems - 0 to 10V Analog Control Specification |
| ANSI E1.20 | Entertainment Technology - USITT DMX512-A - Asynchronous Serial Digital Data Transmission Standard for Controlling Lighting Equipment and Accessories |
| ANSI E1.20 | Entertainment Technology-RDM-Remote Device Management over USITT DMX512 Networks |

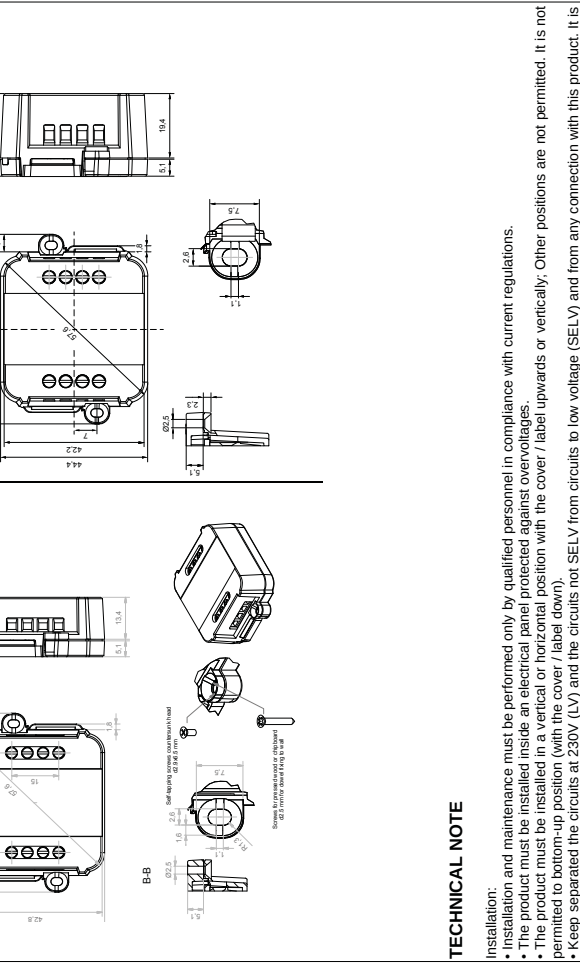
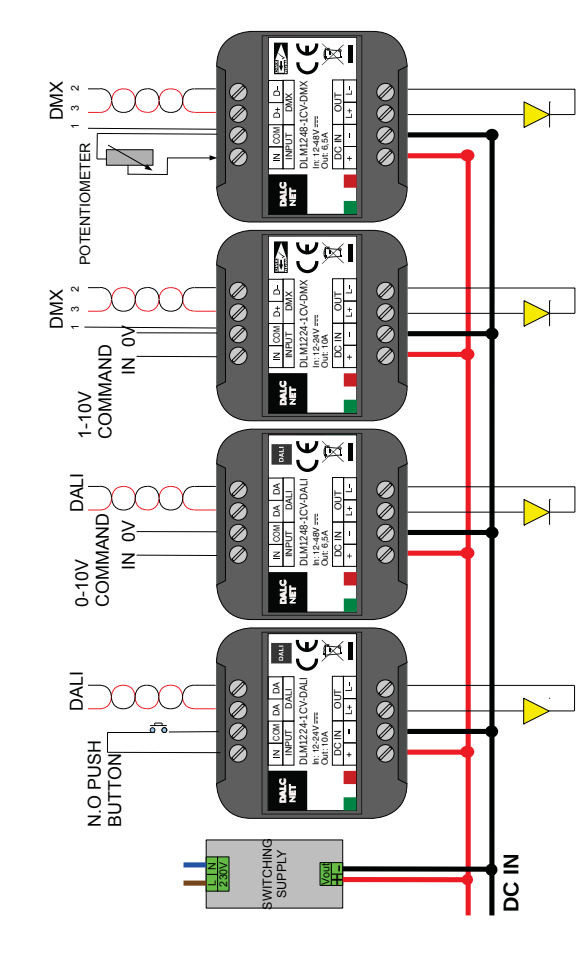
TECHNICAL SPECIFICATIONS

| | DLM1248-1CV DALI or DMX Variant | DLM1224-1CV DALI or DMX Variant |
|--------------------------------------|--|--|
| Supply voltage | Constant voltage min: 10,8 Vdc .. max: 52,8 Vdc | Constant voltage min: 10,8 Vdc .. max: 26,4 Vdc |
| Output voltage | = Vin | = Vin |
| Output current | 6,5A @40°C ¹⁾ | 10A @40°C ²⁾ |
| Absorbed nominal power ³⁾ | 78 W 156 W 312 W | 120 W 240 W |
| Power loss in stand by mode | <500mW | <500mW |
| Type of Load | R – L – C | R |
| Thermal shutdown ³⁾ | 150°C | - |
| D-PWM dimming frequency | 300Hz | 300Hz |
| D-PWM resolution | 16 bit | 16 bit |
| D-PWM range | 0,1 – 100 % | 0,1 – 100 % |
| Storage Temperature | min: -40 max: +60 °C | min: -40 max: +60 °C |
| Ambient Temperature ³⁾ | min: -10 max: +40 °C | min: -10 max: +40 °C |
| Protection grade | IP20 | IP20 |
| Wiring | 2,5mm ² solid – 2,5mm ² stranded - 30/12 AWG | 1,5mm ² solid - 1mm ² stranded - 30/16 AWG |
| Wire preparation length | 5,5 + 6,5 mm | 5 + 6mm |
| Mechanical dimensions | 44 x 57 x 25 mm | 44 x 57 x 19 mm |
| Package dimensions | 56 x 68 x 35 mm | 56 x 68 x 35 mm |
| Casing material | Plastic | Plastic |
| Weight | 43g | 37g |

¹⁾ maximum value, dependent on the ventilation conditions. This value is measured at 40°C, it is maximum ambient temperature.
²⁾The Temperature Protection, in case of high temperature, is detected by transistor (> 150°C) and is only on the output channel.

To set the product, follow the instruction on the picture below:
 1) connect the LED in the output terminal blocks "OUT" of the device.
 2) connect the LOCAL COMMAND to the terminal blocks "INPUT" and / or connect the BUS COMMAND to the terminal block "DALI or DMX" of the device.
 3) connect the power supply (12-24 Vdc or 12-48Vdc depending on the dimmer model) to terminal blocks "DC IN" of the device.

MECHANICAL DIMENSION
 DLM1224 1CV BUS Variant
 DLM1248 1CV BUS Variant



TECHNICAL NOTE
 Installation and maintenance must be performed only by qualified personnel in compliance with current regulations.
 • The product must be installed inside an electrical panel protected against overvoltages.
 • The product must be installed in a vertical or horizontal position with the cover / label upwards or vertically. Other positions are not permitted. It is not permitted to bottom-up position (with the cover / label down).
 • Keep separated the circuits at 230V (LV) and the circuits not SELV from circuits to low voltage (SELV) and from any connection with this product. It is absolutely forbidden to connect, for any reason whatsoever, directly or indirectly, the 230V mains voltage to the bus or to other parts of the circuit.
Power Supply:
 • For the power supply use only a SELV power supplies with limited current, short circuit protection and the power must be dimensioned correctly. In case of using power supply with ground terminals, all points of the protective earth (PE = Protection Earth) must be connected to a valid and certified protection earth.
 • The connection cables between the power source "low voltage" and the product must be dimensioned correctly and they should be isolated from every wiring or parts at voltage not SELV. Use double insulated cables.
 • Dimension the power supply for the load connected to the device. If the power supply is oversized compared with the maximum absorbed current, insert a protection against over-current between the power supply and the device.
Command:
 • The length of the connection cables between the local commands (N.O. Push button, 0-10 V, Potentiometer or other) and the product must be less than 10m; the cables must be dimensioned correctly and they should be isolated from every wiring or parts at voltage not SELV. It is suggested to use double insulated shielded and twisted cables.
 • The length and type of the connection cables at the BUS (DMX512, DALI or other) use cables as per specification of the respective protocols and regulations and they should be isolated from every wiring or parts at voltage not SELV. It is suggested to use double insulated shielded and twisted cables.
 • All the product and the control signal connect at the bus (DMX512, DALI, Ethernet, or other) and at the local command (N.O. Push Button, 0-10V, 1-10V, Potentiometer or other) must be SELV (the devices connected must be SELV or supply a SELV signal)
Outputs:
 • The length of the connection cables between the product and the LED module must be less than 10m; the cables must be dimensioned correctly and they should be isolated from every wiring or parts at voltage not SELV. It is suggested to use double insulated shielded and twisted cables.

LED DRIVERS
 DLM 1248 singolo canale BUS



FEATURES

- BUS+FADER+DIMMER+DRIVER
- DC input: DC 12-24-48 Vdc or 12-24Vdc
- BUS Command:
 - DALI
 - DMX512+RDM
- MULTI INPUT – Analogic Automatic Detection of the Local Command:
 - Normally Open Push-Button
 - 1-10V
 - Potentiometer 10KOhm
- PUSH MENU – Possibility to set:
 - Minimum value or dimming
 - Fade In
 - Fade Out
- Constant voltage variant to Common Anode applications
- Voltage outputs for R-L-C loads, DLM1248-1CV-DALI or DMX
- Voltage outputs for R loads, DLM1224-1CV-DALI or DMX
- Memory function
- Adjusting the brightness of White light or monochromatic color
- Adjusting the brightness up to completed off
- Soft start and soft stop
- Optimized output curve
- Typical efficiency > 95%
- 100% Functional test – 5 Years warranty



CONSTANT VOLTAGE VARIANTS

Application: Dimmer

| CODE | Input Voltage | Output | Channels | BUS Command | Analogic Auto Detection |
|------------------|---------------|----------|----------|-------------|---|
| DLM1248-1CV-DALI | 12-48V DC | 1 x 6.5A | 1 | DALI | N° 1 N.O. Push Button N° 1 analog signal 0-10V |
| DLM1224-1CV-DALI | 12-24V DC | 1 x 10A | 1 | DALI | N° 1 analog signal 1-10V N° 1 potentiometer 10KOhm |
| DLM1248-1CV-DMX | 12-48V DC | 1 x 6.5A | 1 | DMX | N° 1 N.O. Push Button N° 1 analog signal 0-10V |
| DLM1224-1CV-DMX | 12-24V DC | 1 x 10A | 1 | DMX | N° 1 analog signal 1-10V N° 1 potentiometer 10KOhm |

The LED Dimmer is produced by default with:
 - Analog Automatic Detection of local command set as N.O. Push Button
 - Dimming minimum level at 1%

PROTECTIONS

| | DLM1248-1CV-DALI/DMX | DLM1224-1CV-DALI/DMX |
|---|----------------------|----------------------|
| OTP Over temperature protection (*) | ✓ | ✓ |
| OVP Over voltage protection (**) | ✓ | ✓ |
| UVP Under voltage protection (**) | ✓ | ✓ |
| RVP Reverse polarity protection (**) | ✓ | ✓ |
| IIP Input fuse protection (**) | ✓ | ✓ |
| SCP Short circuit protection | ✓ | ✓ |
| OCF Open circuit protection | ✓ | ✓ |
| CLP Current limit protection | ✓ | ✓ |

(*) Thermal Protection on the output channel in case of high temperature. The thermal intervention is detected by transistor (> 150°C)

(**) Only control logic protection

REFERENCE STANDARDS

| | |
|------------------|---|
| EN 61347-1 | Lamp controlgear - Part 1: General and safety requirements |
| EN 55015 | Limits and methods of measurement of radio disturbance characteristics of electrical lighting and similar equipment |
| EN 61547 | Equipment for general lighting purposes - EMC immunity requirements |
| IEC/EN 62386-101 | Digital addressable lighting interface - Part 101: General requirements - System |
| IEC/EN 62386-102 | Digital addressable lighting interface - Part 102: General requirements - Control gear |
| IEC 60929-E.2.1 | Digital addressable lighting interface - Part 207: Particular requirements for control gear - LED modules (device type 6) |
| ANSI E 1.3 | Control interface for controllable ballasts - control by d.c. voltage - functional specification |
| ANSI E1.1.1 | Entertainment Technology - Lighting Control Systems - 0 to 10V Analog Control Specification |
| ANSI E1.20 | Entertainment Technology - USITT DMX512-A - Asynchronous Serial Digital Data Transmission Standard for Controlling Lighting Equipment and Accessories |
| ANSI E1.20 | Entertainment Technology-RDM-Remote Device Management over USITT DMX512 Networks |

TECHNICAL SPECIFICATIONS

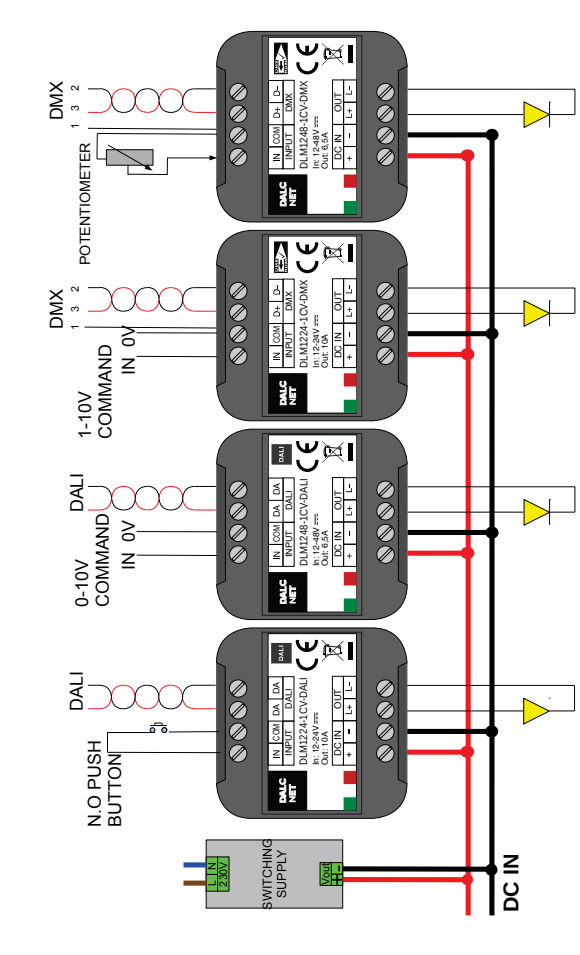
| | DLM1248-1CV DALI or DMX Variant | DLM1224-1CV DALI or DMX Variant |
|--------------------------------------|--|--|
| Supply voltage | Constant voltage min: 10,8 Vdc .. max: 52,8 Vdc | Constant voltage min: 10,8 Vdc .. max: 26,4 Vdc |
| Output voltage | = Vin | = Vin |
| Output current | 6,5A @40°C ¹⁾ | 10A @40°C ²⁾ |
| Absorbed nominal power ³⁾ | 78 W 156 W 312 W | 120 W 240 W |
| Power loss in stand by mode | <500mW | <500mW |
| Type of Load | R – L – C | R |
| Thermal shutdown ³⁾ | 150°C | - |
| D-PWM dimming frequency | 300Hz | 300Hz |
| D-PWM resolution | 16 bit | 16 bit |
| D-PWM range | 0,1 – 100 % | 0,1 – 100 % |
| Storage Temperature | min: -40 max: +60 °C | min: -40 max: +60 °C |
| Ambient Temperature ³⁾ | min: -10 max: +40 °C | min: -10 max: +40 °C |
| Protection grade | IP20 | IP20 |
| Wiring | 2,5mm ² solid – 2,5mm ² stranded - 30/12 AWG | 1,5mm ² solid - 1mm ² stranded - 30/16 AWG |
| Wire preparation length | 5,5 + 6,5 mm | 5 + 6mm |
| Mechanical dimensions | 44 x 57 x 25 mm | 44 x 57 x 19 mm |
| Package dimensions | 56 x 68 x 35 mm | 56 x 68 x 35 mm |
| Casing material | Plastic | Plastic |
| Weight | 43g | 37g |

¹⁾ maximum value, dependent on the ventilation conditions. This value is measured at 40°C, it is maximum ambient temperature.

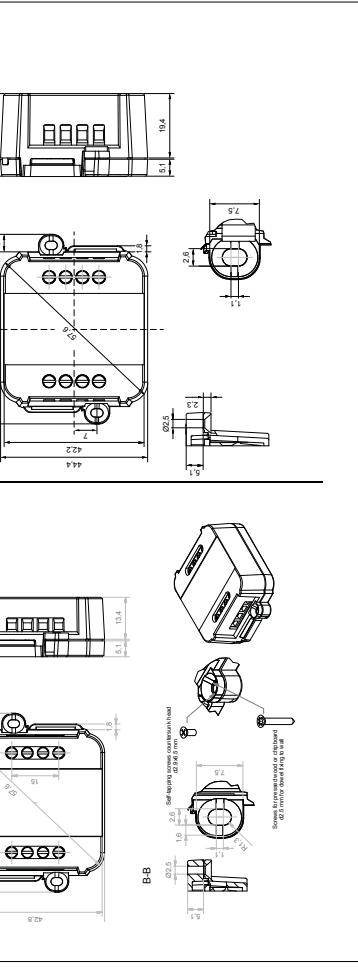
²⁾The Temperature Protection, in case of high temperature, is detected by transistor (> 150°C) and is only on the output channel.

To set the product, follow the instruction on the picture below:
 1) connect the LED in the output terminal blocks "OUT" of the device.
 2) connect the LOCAL COMMAND to the terminal blocks "INPUT" and / or connect the BUS COMMAND to the terminal block "DALI or DMX" of the device.
 3) connect the power supply (12-24 Vdc or 12-48Vdc depending on the dimmer model) to terminal blocks "DC IN" of the device.

MECHANICAL DIMENSION
 DLM1224 1CV BUS Variant
 DLM1248 1CV BUS Variant



Examples of local commands and BUS command (DALI or DMX) connection.



TECHNICAL NOTE

- Installation:
- Installation and maintenance must be performed only by qualified personnel in compliance with current regulations.
 - The product must be installed inside an electrical panel protected against overvoltages.
 - The product must be installed in a vertical or horizontal position with the cover / label upwards or vertically. Other positions are not permitted. It is not permitted to bottom-up position (with the cover / label down).
 - Keep separated the circuits at 230V (LV) and the circuits not SELV from circuits to low voltage (SELV) and from any connection with this product. It is absolutely forbidden to connect, for any reason whatsoever, directly or indirectly, the 230V mains voltage to the bus or to other parts of the circuit.
- Power Supply:
- For the power supply use only a SELV power supplies with limited current, short circuit protection and the power must be dimensioned correctly. In case of using power supply with ground terminals, all points of the protective earth (PE = Protection Earth) must be connected to a valid and certified protection earth.
 - The connection cables between the power source "low voltage" and the product must be dimensioned correctly and they should be isolated from every wiring or parts at voltage not SELV. Use double insulated cables.
 - Dimension the power supply for the load connected to the device. If the power supply is oversized compared with the maximum absorbed current, insert a protection against over-current between the power supply and the device.
- Command:
- The length of the connection cables between the local commands (N.O. Push button, 0-10 V, Potentiometer or other) and the product must be less than 10m; the cables must be dimensioned correctly and they should be isolated from every wiring or parts at voltage not SELV. It is suggested to use double insulated shielded and twisted cables.
 - The length and type of the connection cables at the BUS (DMX512, DALI or other) use cables as per specification of the respective protocols and regulations and they should be isolated from every wiring or parts at voltage not SELV. It is suggested to use double insulated shielded and twisted cables.
 - All the product and the control signal connect at the bus (DMX512, DALI, Ethernet, or other) and at the local command (N.O. Push Button, 0-10V, 1-10V, Potentiometer or other) must be SELV (the devices connected must be SELV or supply a SELV signal)
- Outputs:
- The length of the connection cables between the product and the LED module must be less than 10m; the cables must be dimensioned correctly and they should be isolated from every wiring or parts at voltage not SELV. It is suggested to use double insulated shielded and twisted cables.